

Dimensions AWS 3000

Concept Proposal

Dimensions AWS 3000

Contents

Luxury System - Overview	— 3
Luxury System - Overview	— 4
Luxury System - Overview	— 5
Luxury System - Work Surface	— 6
Luxury System - Overall Dimensions	— 7
Luxury System - Articulated Arm Reach	— 8
Luxury System - Image Monitor Tilt	— 9
Luxury System - Control Monitor Tilt	— 10
Luxury System - Height Ergonomics	— 11
Basic System - Overview	— 12
Basic System - Overview	— 13
Basic System - Overview	— 14
Basic System - Work Surface	— 15
Basic System - Overall Dimensions	— 16
Basic System - Height Ergonomics	— 17
Customization - Left/Right	— 18
Customization - Image Monitor Mount Options	— 19
Options	— 20
Purple Option 1	— 21
Purple Option 2	— 22
Purple Option 3	— 23
Things to Note	— 24
Still in Development	— 25

Dimensions AWS 3000

Luxury System - Overview

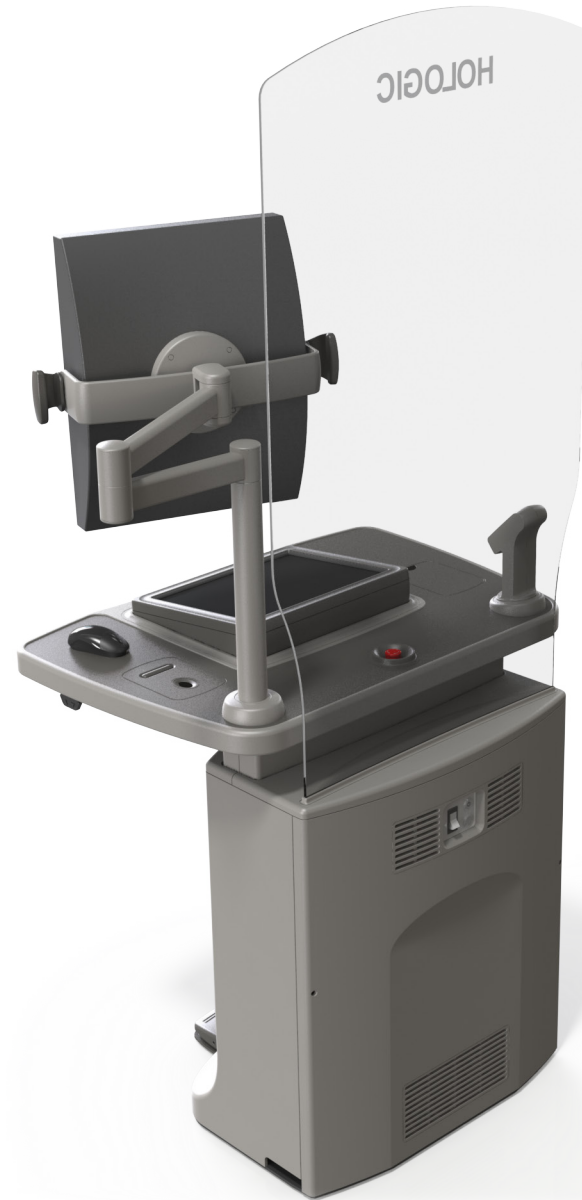
Luxury system:

- work surface height adjustment feature, shown set to 92 cm (36.2") from the floor
- articulated image monitor arm with tilt feature (monitor center is about 54 cm (21.3") above the work surface)
- built-in control touch-screen monitor with tilt feature
- fingerprint scanner
- barcode scanner
- Luxury version of glass shield with etched graphic



Dimensions AWS 3000

Luxury System - Overview



Dimensions AWS 3000

Luxury System - Overview

The depth of the console with keyboard extended is about 94 cm (37").

The depth of the current 8000 console with keyboard extended is about: 80 cm (31.5").



Dimensions AWS 3000

Luxury System - Work Surface



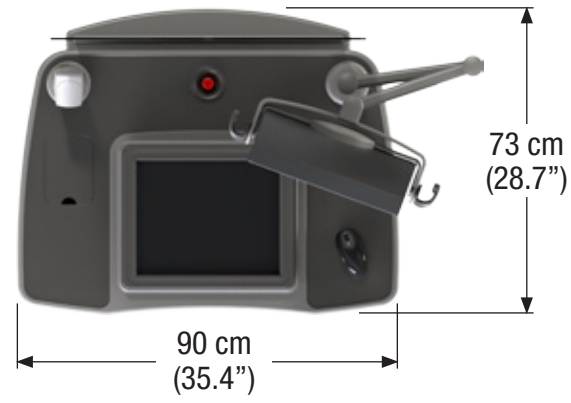
Dimensions AWS 3000

Luxury System - Overall Dimensions

The work surface height in the illustrations is 92 cm (36.2").

The current 8000 console is about:

- 92 cm (36.2") wide
- 60 cm (23.6") deep
- 203 cm (79.9") high



Dimensions AWS 3000

Luxury System - Articulated Arm Reach

The total length of the articulated arm is 60 cm (23.6").



Dimensions AWS 3000

Luxury System - Image Monitor Tilt

The image monitor can tilt $\pm 15^\circ$ from horizontal.



Dimensions AWS 3000

Luxury System - Control Monitor Tilt

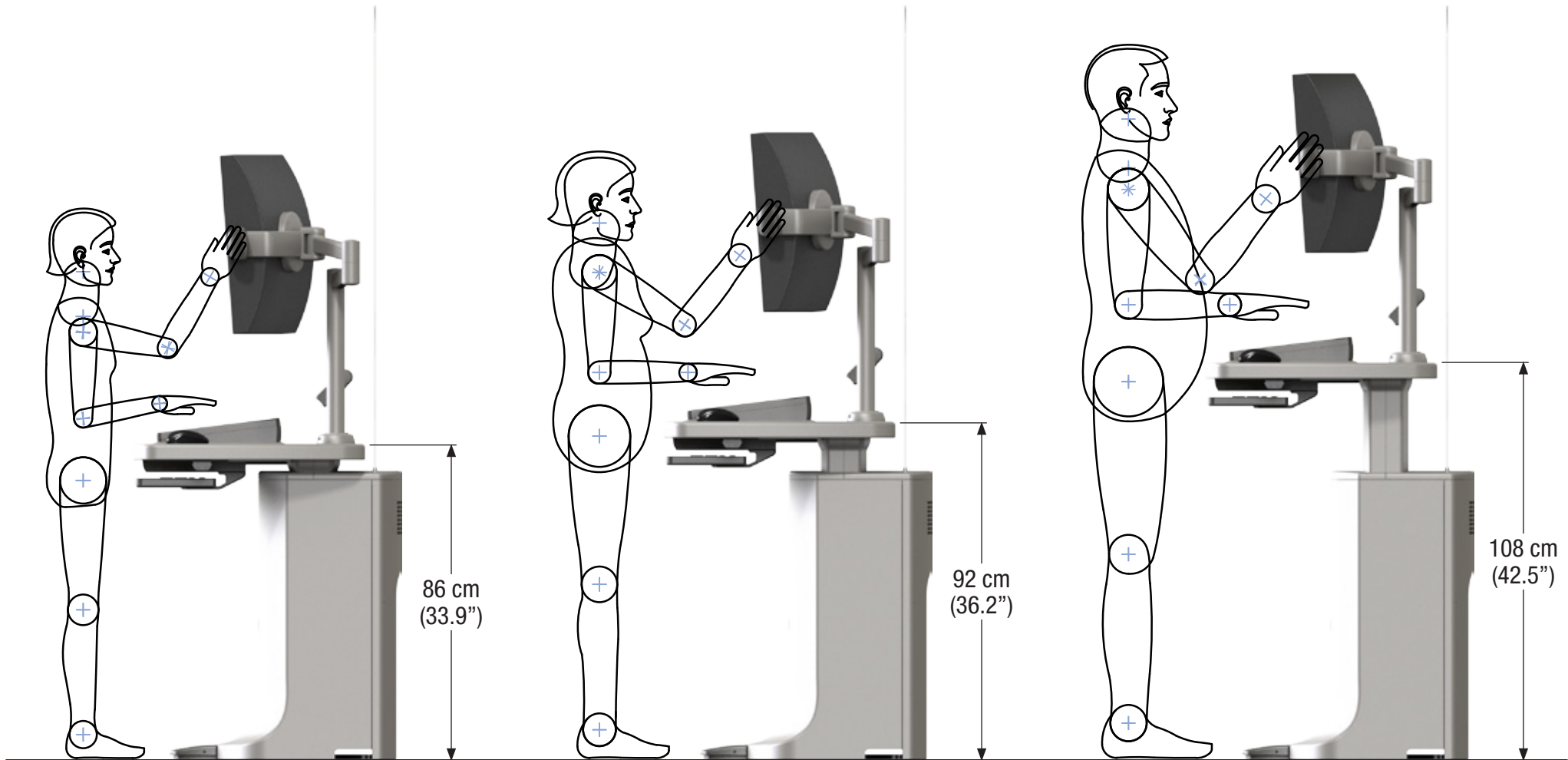
The control monitor can tilt from a minimum of 5° to a maximum of 15° from horizontal. (The control monitor on the current 8000 console is fixed at 10°.)



Dimensions AWS 3000

Luxury System - Height Ergonomics

Height adjustment on the Luxury system will accommodate almost all user heights. The total adjustment range is 22 cm (8.7").



5th percentile female
height: 147.6 cm (58.1")

50th percentile female
height: 162.6 cm (64.0")

95th percentile male
height: 192.0 cm (75.6")

Dimensions AWS 3000

Basic System - Overview

Basic system:

- fixed work surface height, shown set to 92 cm (36.2") from the floor
- simple post-mounted image monitor (monitor center is about 54 cm (21.3") above the work surface)
- off-the-shelf touch-screen monitor, shown fixed at an angle of 10° from horizontal
- Basic version of glass shield



Dimensions AWS 3000

Basic System - Overview



Dimensions AWS 3000

Basic System - Overview

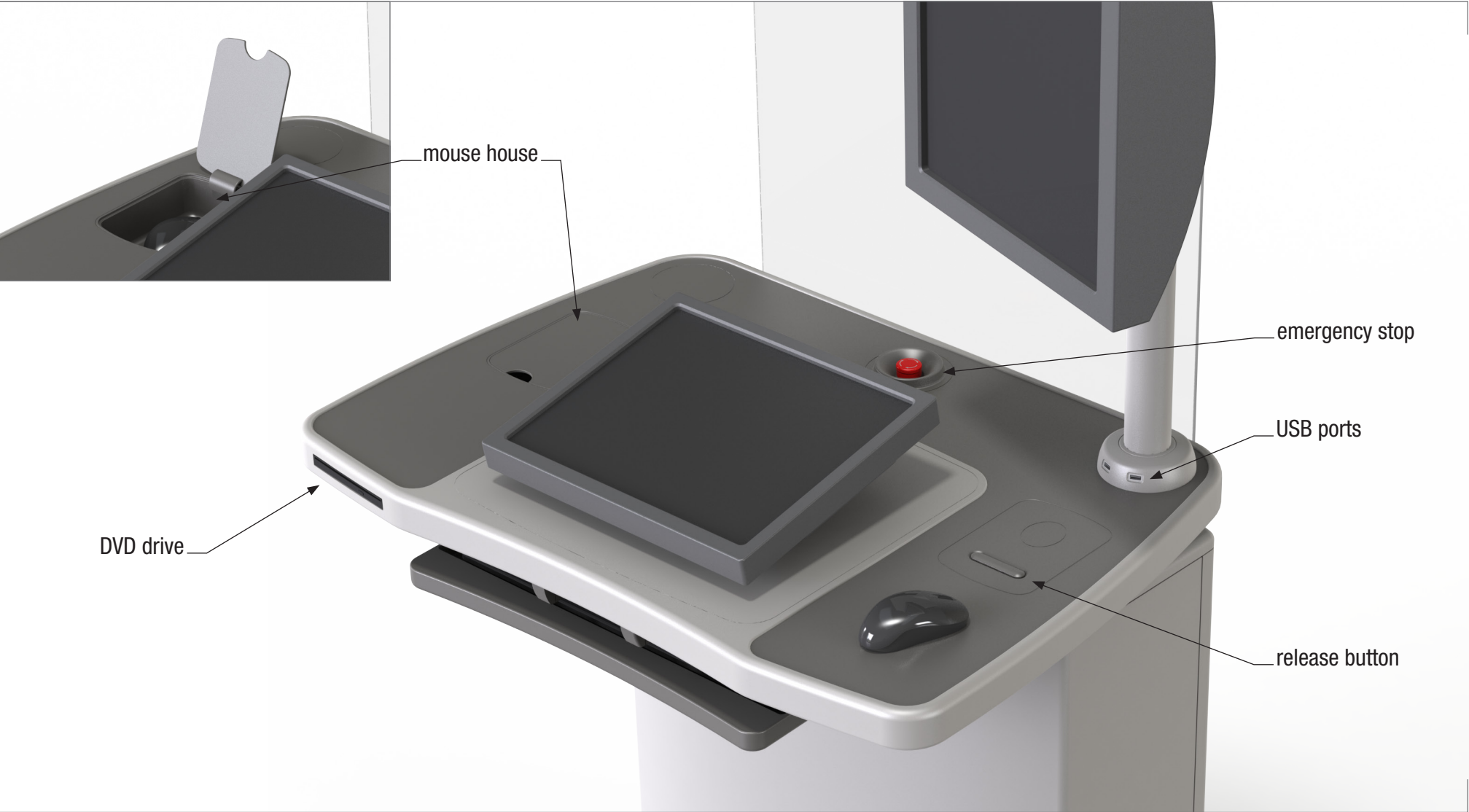
The depth of the console with keyboard extended is about 94 cm (37").

The depth of the current 5000 console with keyboard extended is about: 80 cm (31.5").



Dimensions AWS 3000

Basic System - Work Surface



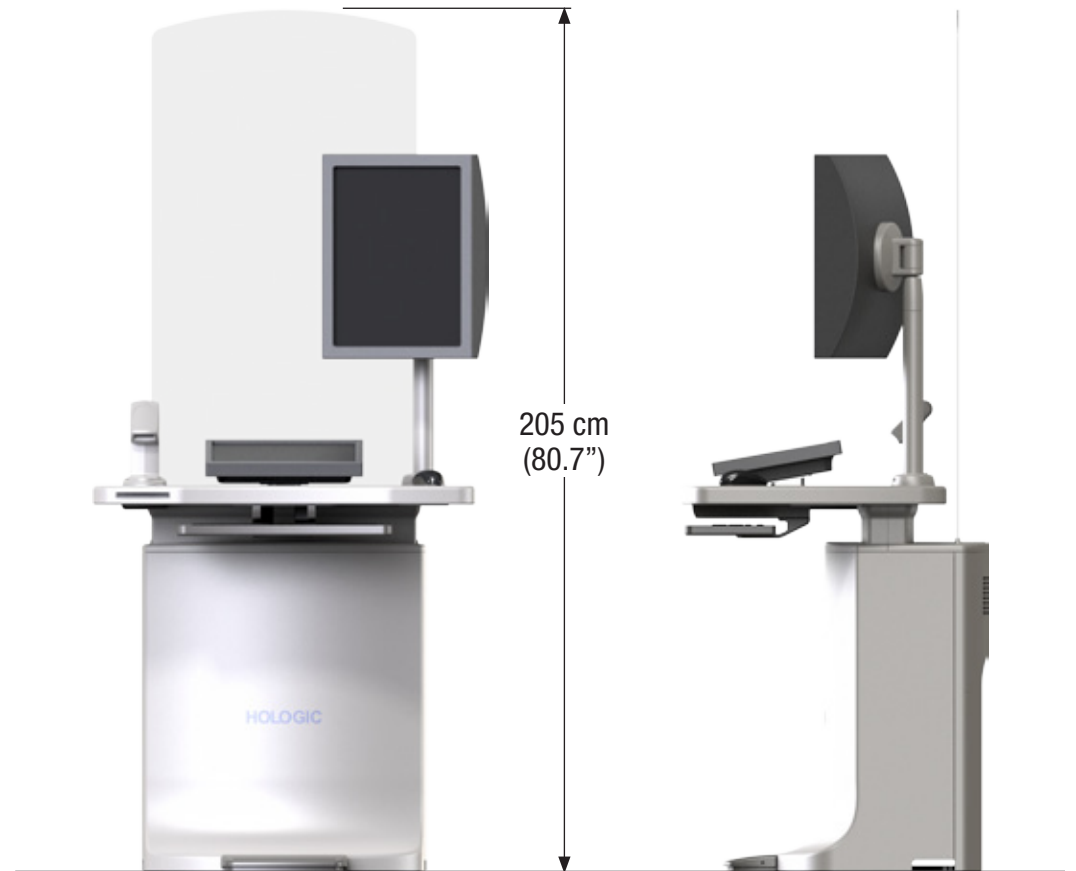
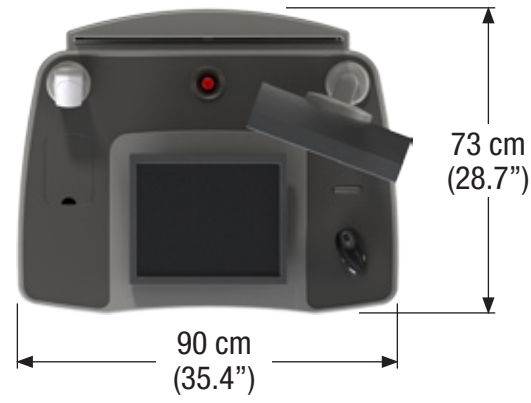
Dimensions AWS 3000

Basic System - Overall Dimensions

The work surface height in the illustrations is 92 cm (36.2").

The current 5000 console is about:

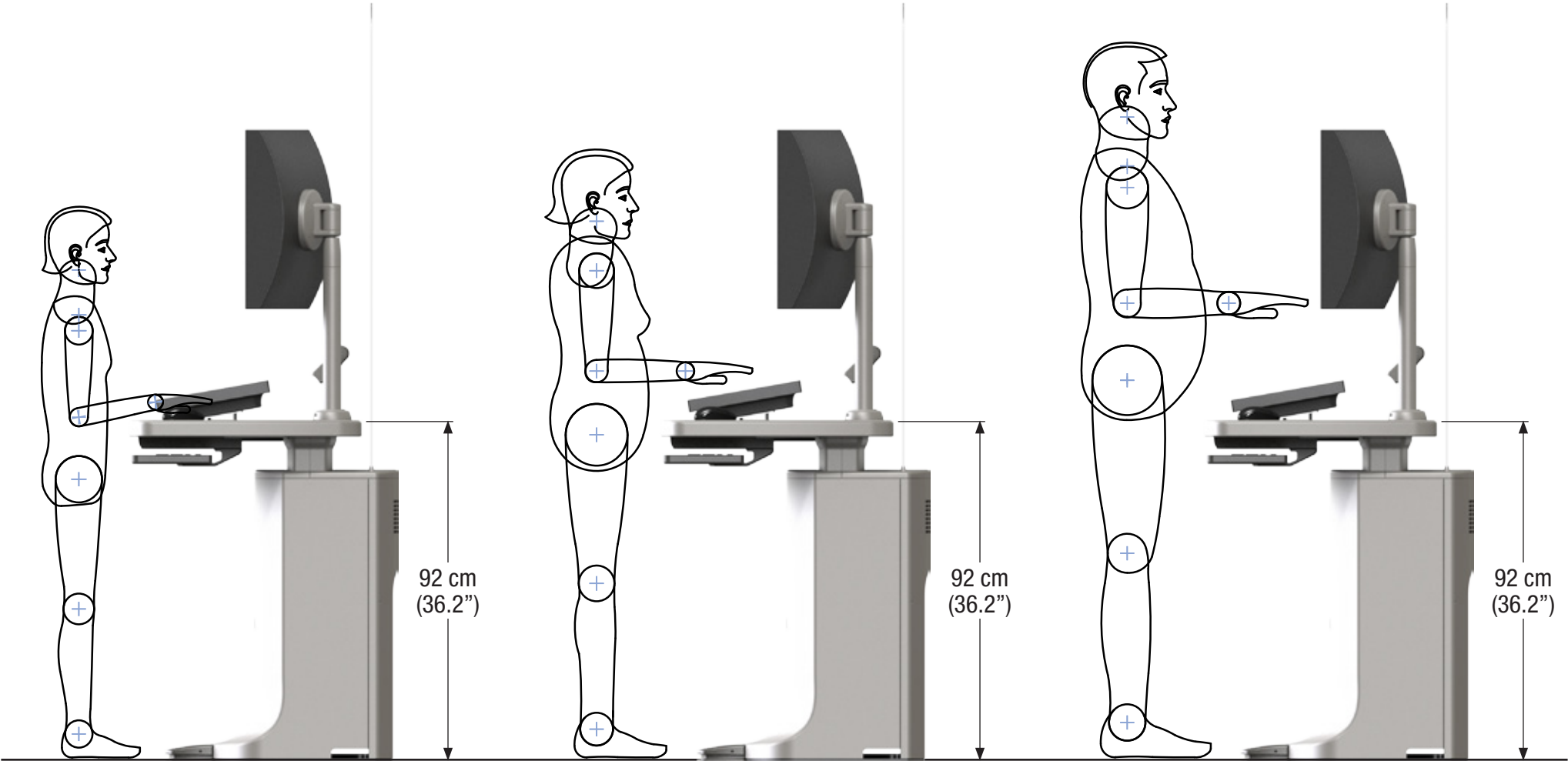
- 91 cm (35.8") wide
- 63 cm (24.8") deep
- 200 cm (78.7") high



Dimensions AWS 3000

Basic System - Height Ergonomics

No height adjustment on the Basic system may be problematic for tall users. If there is no height adjustment, a vertical tilt feature on the image monitor is recommended.



5th percentile female
height: 147.6 cm (58.1")

50th percentile female
height: 162.6 cm (64.0")

95th percentile male
height: 192.0 cm (75.6")

Dimensions AWS 3000

Customization - Left/Right

The image monitor, barcode scanner, and fingerprint/release button panel can be positioned on either the right or the left side of the work surface, depending on customer preference. The illustrations show the Luxury system but the same customization feature is also available on the Basic system.



Dimensions AWS 3000

Customization - Image Monitor Mount Options

Three options are available for image monitor mounting:



articulated arm with vertical tilt



post with rotation and vertical tilt



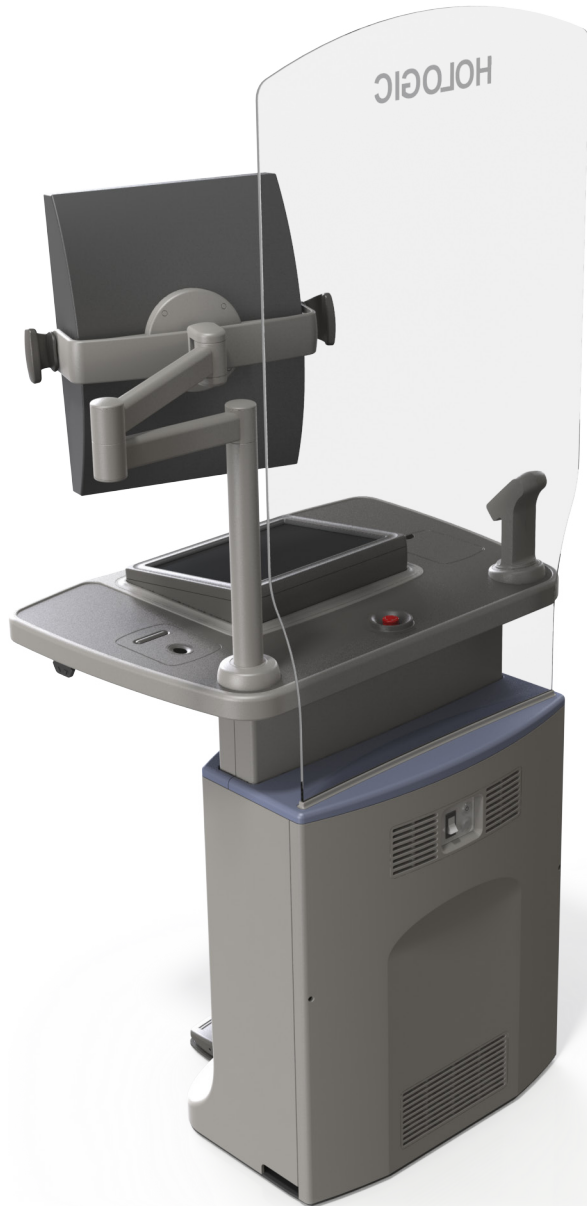
post with rotation

Dimensions AWS 3000

Options

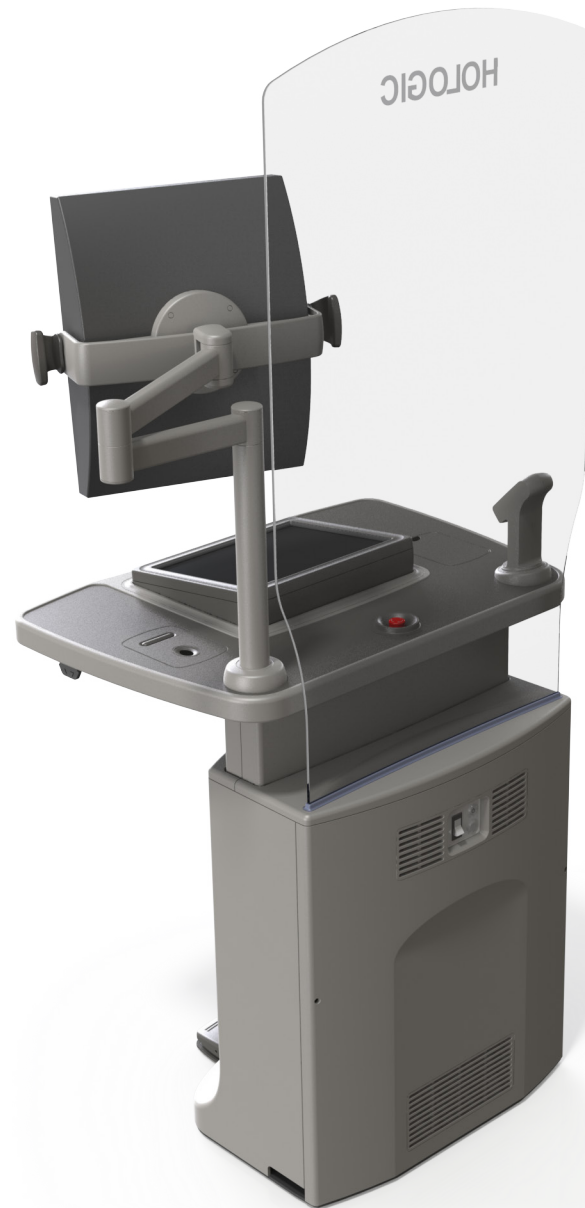
Dimensions AWS 3000

Purple Option 1



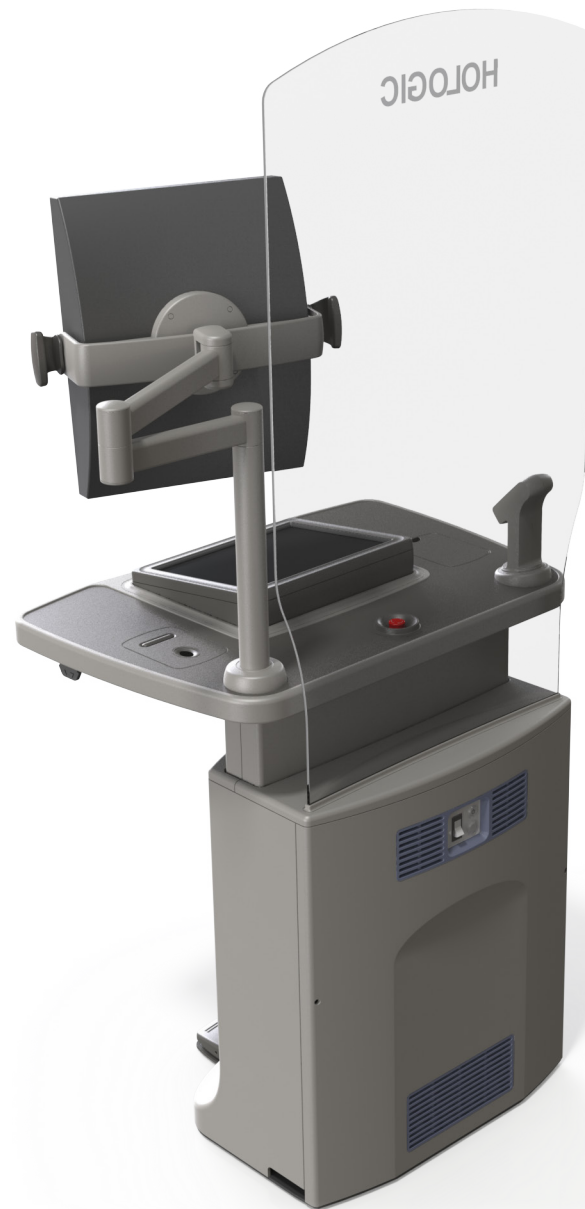
Dimensions AWS 3000

Purple Option 2



Dimensions AWS 3000

Purple Option 3



Dimensions AWS 3000

Things to Note

The work surface main part is common to both the Basic and Luxury system. Differentiation between the two is done with:

- height adjustment (the Basic system has a fixed height)
- monitor arm/post (the Basic system has no articulated arm)
- control monitor
- fingerprint scanner (the Basic system has none)
- glass shield (the shield has a simpler form with no etched graphic)

A few parts of current production systems are being reused:

- the front panel
- the barcode scanner enclosure
- the release button

Dimensions AWS 3000

Still in Development

There is a number of details and features still to resolve:

- keyboard tray mechanism and details, including off-the-shelf options
- proposed monitor arm feasibility including cable management
- options for an off-the-shelf articulated monitor arm
- a control monitor bracket/mount for the Basic system
- the areas on which the mouse is used should be a separate, durable, maybe replaceable part
- the foot switch concept shown is preliminary; others are being considered
- the mouse house lid hinge shown is a placeholder
- ergonomics of image monitor manipulation handles
- tethered switch on both Luxury and Basic versions
- mobile version features